

Classic Cottage®



New England Classic® presents *Classic Cottage*® - a refined casual style inspired by the 'utilitarian' architecture of late 19th and early 20th century.

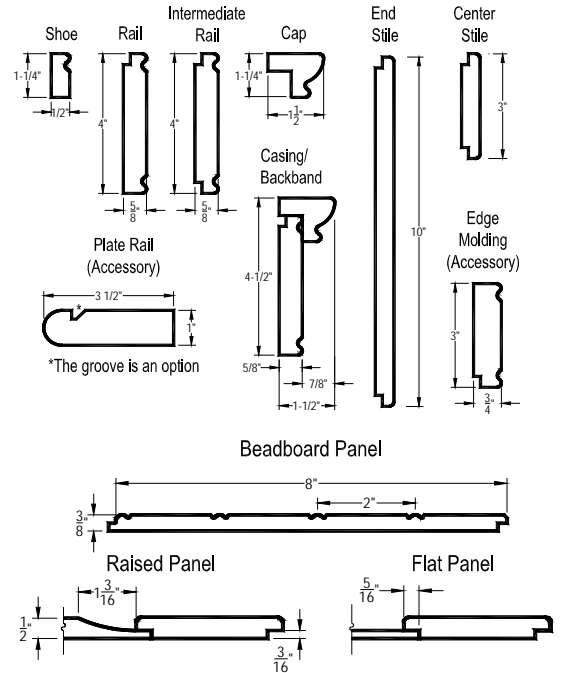
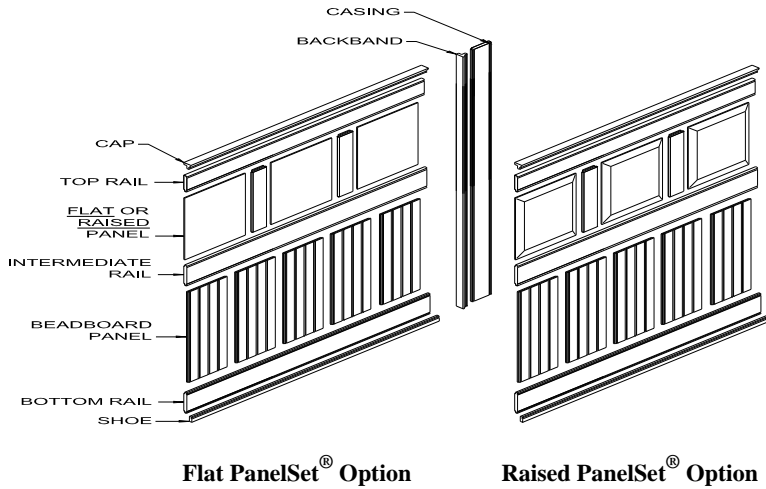
Classic Cottage® System & Components

Classic Cottage® is available in two standard heights.

47 1/2" Height = FramePak® + 23" BeadBd PanelSet® + 12" PanelSet®

55 1/2" Height = FramePak® + 31" BeadBd PanelSet® + 12" PanelSet®

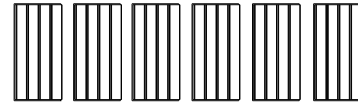
Other heights available per custom order request.



Classic Cottage® Components are packaged for convenient ordering, handling and use.

Beadboard PanelSet®

Available in 23", and 31" heights.
Each package contains:
Primed - 6 Panels @ 8" wide
Stained - 2 Panels @ 48" wide



StilePak®

Adjusts top panel layout to fit variable wall lengths, complete corners and window locations. (trimmable)
Each package contains:
4 - end stiles (10" wide)



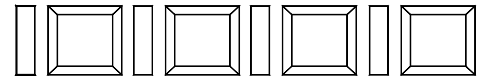
12x12 Flat PanelSet®

Available in 12" x 12" panel sizes.
Each package contains:
4 - Flat panels
4 - Center stiles



12x12 Raised PanelSet®

Available in 12" x 12" panel sizes.
Each package contains:
4 - Raised panels
4 - Center stiles



FramePak®

Each package contains (96" length):
1 - Cap
2 - Rails
1 - Intermediate rail
1 - Shoe



CasingPak®

Window and door trim designed to match.
Each package contains (96" length):
3 - Caps
3 - Rails



PART 1.0 GENERAL

1.1 DESCRIPTION

A. Wood wainscoting and wall panel systems shall be the New England Classic® Classic Cottage® system manufactured by New England Classic®.

1.2 SUBMITTALS

B. Submit manufacturer's literature and installation instructions to determine layout requirements

1.3 DELIVERY, STORAGE, AND HANDLING

A. Delivery of Product: The Classic Cottage® panel system shall be delivered to the job site in the manufacturer's original packaging with manufacturer's identification intact and legible.

B. Storage & handling: The Classic Cottage® panel system shall be stored and handled in such a way to protect against contact with water, exposure to weather, breakage and damage. Do not store directly on concrete without a plastic sheet as a moisture barrier.

1.4 LIMITATIONS

A. Moisture Conditions: The Classic Cottage® panel system shall not be used in wet or damp areas.

B. Temperature conditions: The Classic Cottage® panel system shall not be used in contact with surfaces where temperatures exceed 120° F.

PART 2.0 PRODUCTS

2.1 ACCEPTABLE MANUFACTURER

New England Classic
1625 N Grundy-Quarles Hwy
Gainesboro, TN 38562

2.2 MATERIALS

A. Substrate shall be industrial grade class 3; or moisture resistant MDF, product class MD - that conform with ANSI A208.2-1994. Substrate may be sprayed with a fire retardant finish to achieve a class 1 fire rating.

B. Adhesive for bonding veneers to substrate shall be PVA, EVA, or PUR type adhesive.

C. Real wood veneer shall be grade-A, sanded to 180 grit.

D. Factory finish shall be either lacquer or conversion varnish per Architectural Woodwork Institute (AWI) Custom Grade Specifications: TR-2 and OP-2 for lacquer, and TR-4 and OP-4 for conversion varnish finish.

2.3 COMPONENTS

A. Flat Panel:
12^{5/8}" x 12^{1/2}" x 3/16" thick

B. Raised Panel:
12^{5/8}" x 12^{1/2}" x 1/2" thick

C. Beadboard Panel:
Primed
8^{5/32}" x 23^{1/2}" x 3/8" thick
8^{5/32}" x 31^{1/2}" x 3/8" thick

Stained
48" x 23^{1/2}" x 3/8" thick
48" x 31^{1/2}" x 3/8" thick

D. Cap:
1^{1/2}" x 1^{1/4}" x 96" long

E. Rail(s):
5/8" x 4" x 96" long

F. Shoe:
5/8" x 1^{1/4}" x 96" long

G. Center stile:
1/2" x 3" x panel height

H. End stile:
1/2" x 10" x panel height

I. Plate shelf:
1" x 3^{1/2}" x 96" long

J. Edge Molding:
3/4" x 3" x 46^{3/4}" long
3/4" x 3" x 54^{3/4}" long

PART 3.0 INSTALLATION

3.1 INSTALLATION

A. Install per manufacturer's recommendations using the provided instructions.

3.2 WARRANTY

A. Manufacturer shall furnish a five year warranty against defects in material, de-lamination and workmanship for parts only. Removal labor, reinstallation labor and freight are not included.

PART 4.0 FINISHING & MAINTENANCE

4.1 UNFINISHED

OAK, MAPLE, CHERRY

A. Fill all nail holes and splices with matching wood filler. Sand wood filler patches smooth to the veneer surface with 180 grit paper, taking care not to sand through the veneer. Apply stain, sealer and clear finish coat, lightly sanding between coats with 220 grit paper. We recommend applying a light coat of lemon oil or furniture oil to replenish the natural sheen, especially in dry environments.

4.2 FINISHED

A. Use matching color putty to fill fastener holes. A matching stain kit is included with factory finished product.

4.3 PRIMED

A. It is not necessary to prime stiles, rails, shoe, cap, or casing (or factory-primed panels). After installation, apply one coat of paint to panels, then sand with 220 grit paper. DO NOT SAND STILES, RAILS, SHOE, CAP, OR CASING. Fill in nail holes with a paintable vinyl-based spackle. Finish coat all parts together. Gentle household cleaners may be used, if required.



New England Classic
1625 North Grundy-Quarles Hwy
Gainesboro, TN 38562
(888) 460-6324
Fax (931) 268-4541
NewEnglandClassic.com